

TRADITIONAL ENTRANCE DOOR

PRODUCT SPECIFICATION	
●EXTERIOR:	FJ PINE/CLAD(COLOUR TBC)
●INTERIOR:	FJ PINE PAINTED(COLOUR TBC)
●WINDOW HARDWARE:	TBC
●DOOR HARDWARE:	TBC
●GLAZING:	LOW E II WITH ARGON ①-Tempered ②-Obscure ③-Triple glazed
●GLAZING DESIGN:	22m GLAZING BAR WITH SPACER SILVER/WHITE/BRONZE BAR AS SHOWN
●WINDOW/DOOR HANDLING	
Elevation-	
Outswing-	
Inswing-	

ALL UNITS SHOWN ARE VIEWED FROM THE EXTERIOR

DO NOT SCALE FROM THIS DRAWING.
USE FIGURED DIMENSIONS ONLY.
THIS SCHEDULE TO BE READ IN CONJUNCTION WITH
.
.
THIS DRAWING IS COPYRIGHT AND MAY ONLY BE REPRODUCED WITH SIGNATURE WINDOWS PERMISSION.

Stephen St. Dunlavin
Co-Wicklow.
Tel :045 401000
Fax:045 401001
E-Mail:sales@signaturewindows.ie

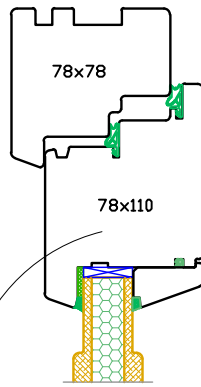
CLIENT:
TRADITIONAL ENTRANCE DOOR.
SITE ADDRESS: STEPHEN STREET
DUNLAVIN
CO.WICKLOW

DATE: 01/03/2016	SCALE: N/A
DRAWING NO. 1	DRAWN BY T.H

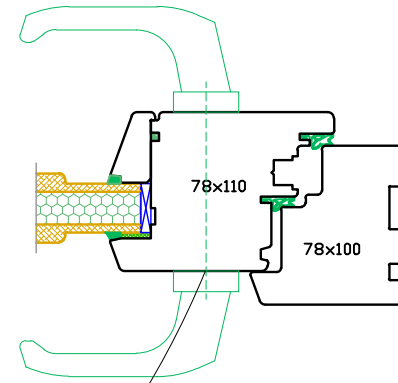
I agree with the above quantities, unit types, sizes, design and openings
SIGNED: _____ DATE: _____

NOTE: All dimensions shown above are block opening dimensions.
Suitable fitting tolerances are included in sizes shown

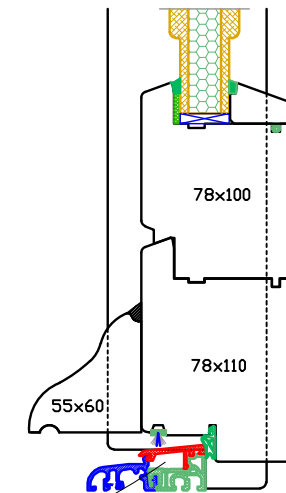
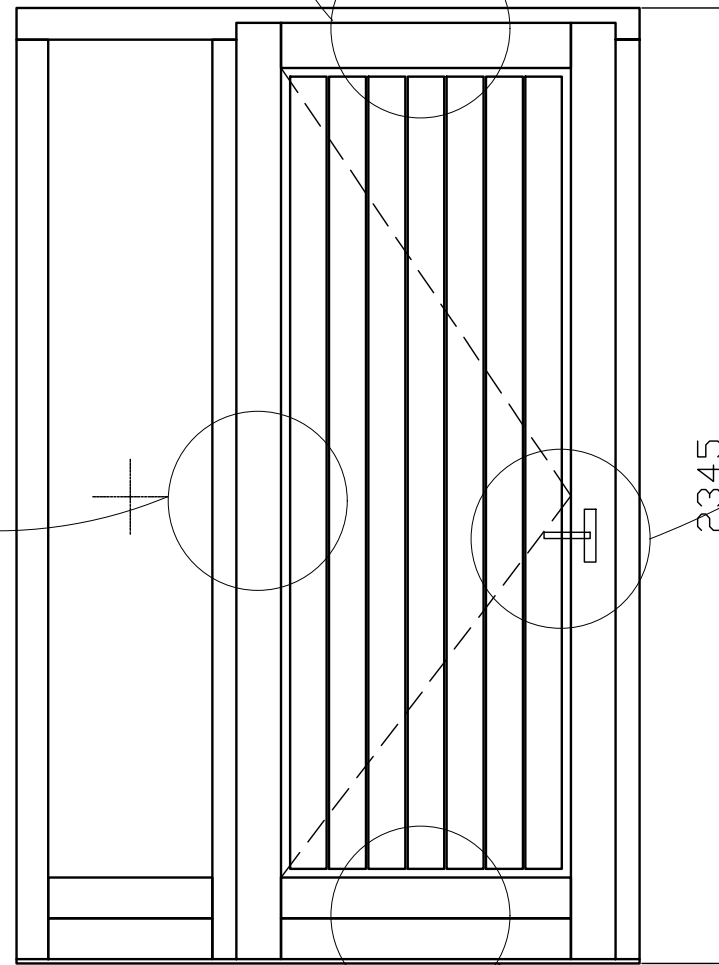
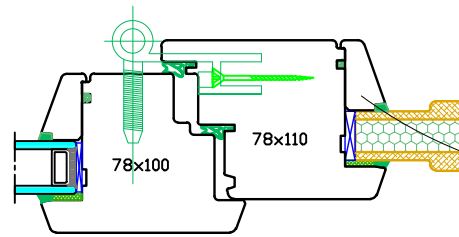
DOOR HEAD



LOCKING STILE.



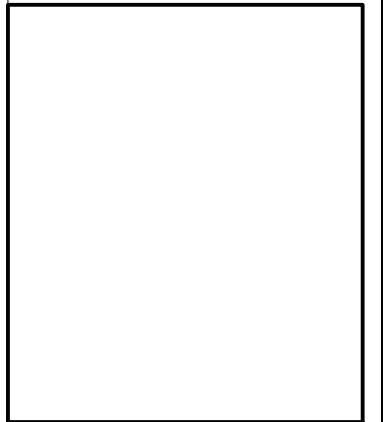
HINGE STILE.



DOOR SILL.

CLASSIC ENTRANCE DOOR

PRODUCT SPECIFICATION	
●EXTERIOR:	FJ PINE/CLAD(COLOUR TBC)
●INTERIOR:	FJ PINE PAINTED(COLOUR TBC)
●WINDOW HARDWARE:	TBC
●DOOR HARDWARE:	TBC
●GLAZING:	LOW E II WITH ARGON ①-Tempered ②-Obscure ③-Triple glazed
●GLAZING DESIGN:	22m GLAZING BAR WITH SPACER SILVER/WHITE/BRONZE BAR AS SHOWN
●WINDOW/DOOR HANDLING	
Elevation-	
Outswing-	
Inswing-	



ALL UNITS SHOWN ARE VIEWED FROM THE EXTERIOR

DO NOT SCALE FROM THIS DRAWING.
USE FIGURED DIMENSIONS ONLY.
THIS SCHEDULE TO BE READ IN CONJUNCTION WITH .
THIS DRAWING IS COPYRIGHT AND MAY ONLY BE REPRODUCED WITH SIGNATURE WINDOWS PERMISSION.

Stephen St. Dunlavin
Co-Wicklow.
Tel :045 401000
Fax:045 401001
E-Mail:sales@signaturewindows.ie

CLIENT:
TRADITIONAL ENTRANCE DOOR.
SITE ADDRESS: STEPHEN STREET
DUNLAVIN
CO.WICKLOW

DATE: 01/03/2016	SCALE: N/A
DRAWING NO. 1	DRAWN BY T.H

I agree with the above quantities, unit types, sizes, design and openings
SIGNED: _____ DATE: _____

NOTE: All dimensions shown above are block opening dimensions.
Suitable fitting tolerances are included in sizes shown