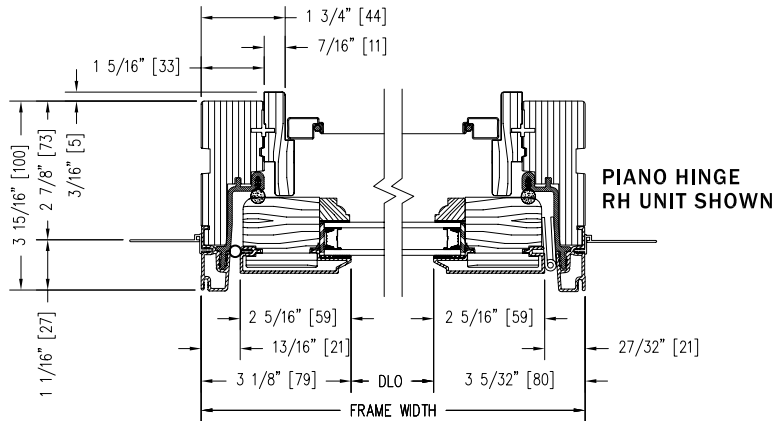
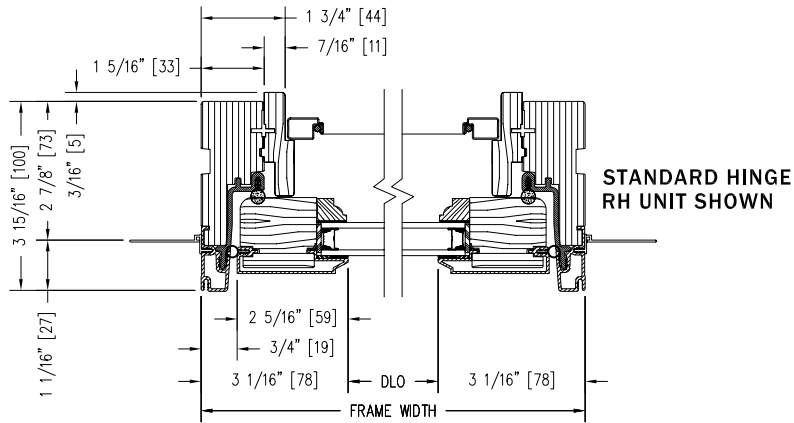
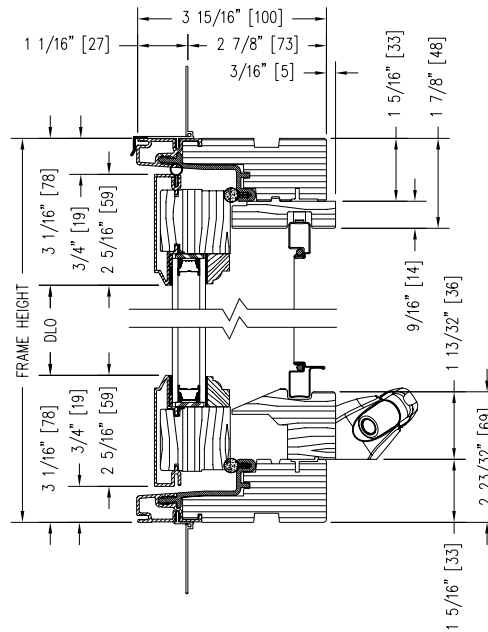


Signature Andersen Aluminium Clad Wood Casement Window



For more information contact Signature Windows & Doors on tel: 01 4066440 or email: sales@signaturewindows.ie

Notes:

Dynamically configure section details to your specific needs by going to EagleWindow.com, select Wintelligence. Eagle Window & Door reserves the right to change the specifications without notice.

DRAWING # AD3000
SCALE: 3"-1'-0"
REVISION: 10/3/11