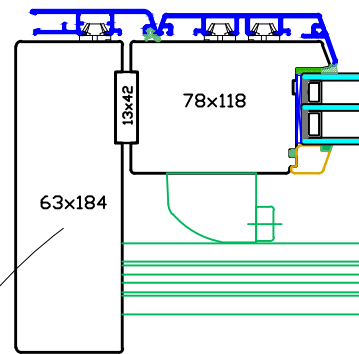
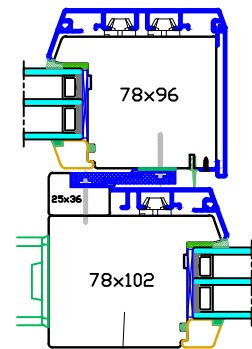


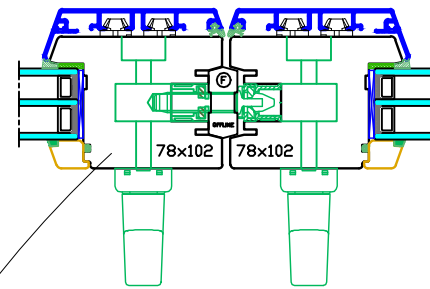
FRAME DETAIL.



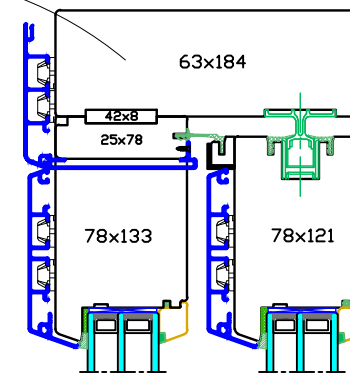
STILES.



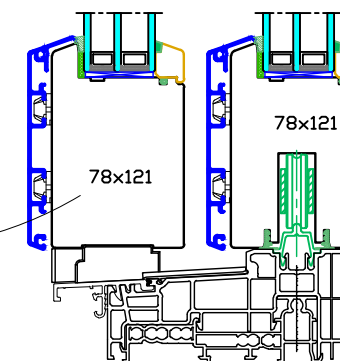
CENTER STILE.



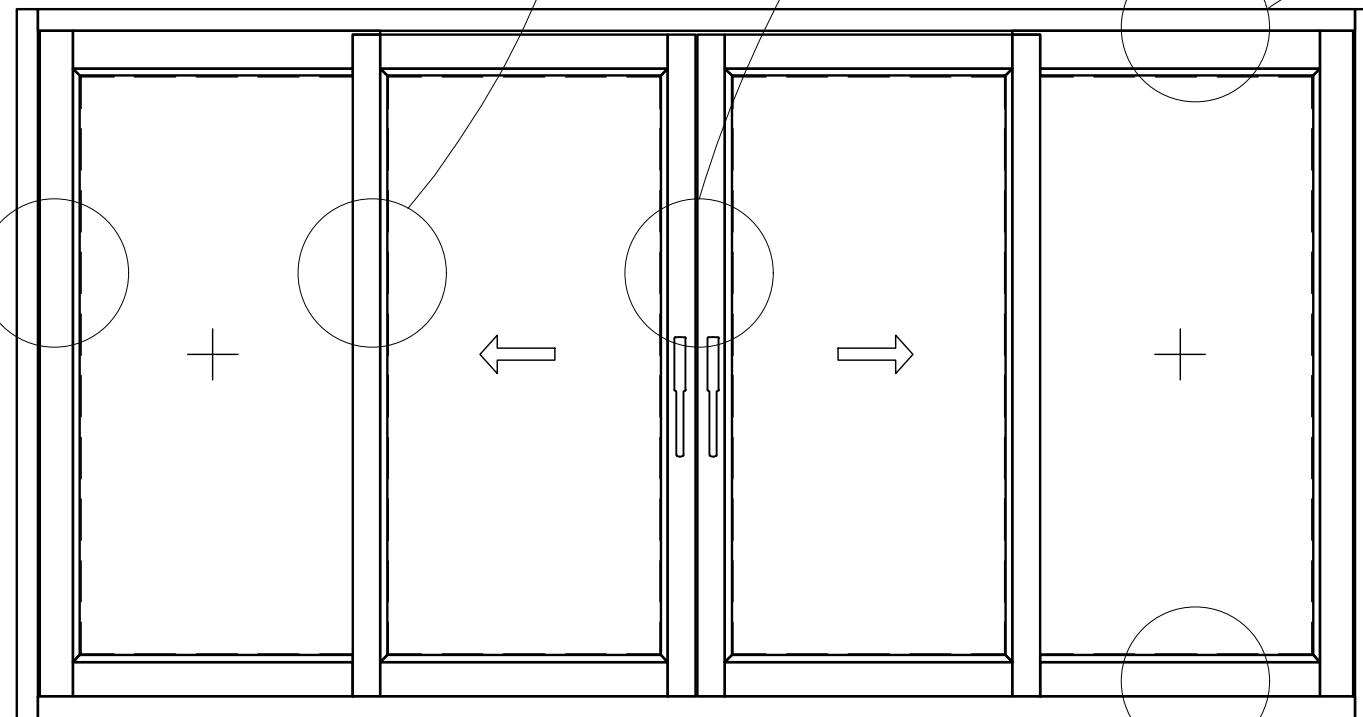
HEAD DETAIL.



SILL DETAIL.



ELEVATION OF 4 PANEL LIFT & SLIDE DOOR.



PRODUCT SPECIFICATION	
● EXTERIOR:	FJ PINE/CLAD(COLOUR TBC)
● INTERIOR:	FJ PINE PAINTED(COLOUR TBC)
● WINDOW HARDWARE:	TBC
● DOOR HARDWARE:	TBC
● GLAZING:	LOW E II WITH ARGON ①-Tempered ②-Obscure ③-Triple glazed
● GLAZING DESIGN:	22m GLAZING BAR WITH SPACER SILVER/WHITE/BRONZE BAR AS SHOWN
● WINDOW/DOOR HANDLING	
Elevation-	
Outswing-	
Inswing-	

ALL UNITS SHOWN ARE VIEWED FROM THE EXTERIOR

DO NOT SCALE FROM THIS DRAWING. USE FIGURED DIMENSIONS ONLY. THIS SCHEDULE TO BE READ IN CONJUNCTION WITH . . .

THIS DRAWING IS COPYRIGHT AND MAY ONLY BE REPRODUCED WITH SIGNATURE WINDOWS PERMISSION.

Stephen St, Dunlavin
Co-Wicklow.
Tel :045 401000
Fax:045 401001
E-Mail:sales@signaturewindows.ie

CLIENT: LIFT & SLIDE DOOR.
SITE ADDRESS: STEPHEN STREET
DUNLAVIN
CO.WICKLOW

DATE: 01/03/2016 SCALE: N/A
DRAWING NO. 1 DRAWN BY T.H

I agree with the above quantities, unit types, sizes, design and openings
SIGNED: _____ DATE: _____

NOTE: All dimensions shown above are block opening dimensions. Suitable fitting tolerances are included in sizes shown